

User manual

S - R - PP - Filter - Unit



1. Technical specifications
2. Safety instructions
3. User section
4. Spare parts list
5. Ordering info

1. Technical specifications

DIMENSIONS		
Width		400 mm
Height		1100 mm
Depth		350mm
MECHANICAL SPECIFICATIONS		
Temperatures		
Developer	Min. - Max.	20 - 50 °C
Aktivator	Min. - Max.	20 - 50 °C
Water	Min. - Max.	20 - 50 °C
Tank volumes (excl. Hoses to processor) Filter Unit		11 l
ELECTRICAL SPECIFICATIONS		
Power Supply EUR-models		2W + PE, 230V / 2x2,5 Amps, 50-60 Hz
Voltage tolerances		± 10%
Power consumption EUR models Max		200 Watts

APPROVALS	
CE regulations	
The S-PP-Filter-Unit complies with:	▪ Machine Directive 98/37/EG

WEIGHTS	
Filter Unit including Filter Bag	
▪ Shipping	60 kg
▪ Empty	40 kg
▪ With liquid	approx. 53 kg

2. Safety instructions

This chapter lists general safety prescriptions to be taken into account before you start operating the filter unit or perform maintenance and troubleshooting.



Handling instructions concerning chemicals:

- Do not drain chemicals into public sewage systems without checking local regulations.
- Avoid inhaling chemical vapours.
- Refer to Material Safety data sheet (MSDS) of your local chemicals supplier.

• Wear protective



gloves and safety



goggles against

splashing of chemicals and when handling chemicals or replacing the filter bag.



Repair and troubleshooting:

Turn off the main switch before you carry out any intervention.



Only skilled/trained technicians can perform repairs and troubleshooting.



Spare parts:

Use only genuine spare parts to prevent malfunction of the unit.

3. User section

3.1 General: The PP filter unit is a plug and play device with easy to use key features.



 Start up:

Check if valves (#1, #2 and #3) are in vertical position (see picture).




Main switch on.

Active led will lid

Press the start button to activate the circulation pump in the Filter unit.

Pressure indicator will increase up to 0.2 bar or higher.

The S-R-PP Filter unit is now active.

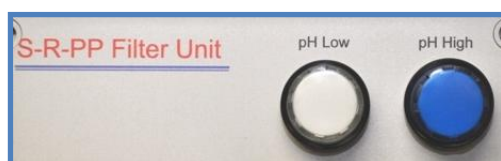
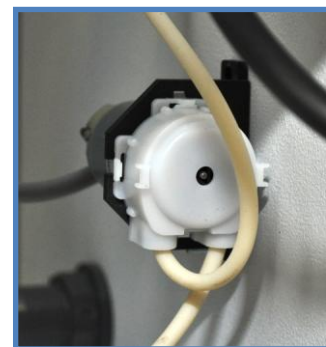
 Filtration system status:


During the filtration process, a pH sensor is constant measuring the pH value of the Rinse water. The sensor is situated in the circulation line. A normal pH value is between 7 and 9.

At a new start-up with fresh water the pH is neutral between 7 and 8. During Processing plates, the pH of the water will increase because of the carryover effect from developer into the Rinse section.

As soon the pH level is higher than 9 the replenish pump will add Acid Citric in the Rinse section.

In case the pH value is out of specs >12 or < 5 the warning light on top will flash and the blue led pH high or the white led pH low will lid at the front panel.



 Filter full status:

Pressure will rise up to 0.4 bar (+/- 0.05 bar)

Warning light will flash and circulation pump will stop.

Turn of the main switch.

Replace filter and Carbon granulate => see chapter 3.3 changing the filter bag.

Start up the S-R-PP filter unit as follow

Main switch on.

Press the start button to activate the circulation pump in the Filter unit.

Pressure indicator will increase up to 0.2 bar or higher.

Active led will lid, the S-R-PP Filter unit is now active.



3.2 Changing the filter bag:



Switch off the filter unit

Close the inlet valve #1

Close the outlet valve #3

Do not open the filter under pressure!

Drain the liquid from the filter bag by opening the drain valve #2

Check the pressure indicator PI -> should be zero.

Remove the lid from the filter housing by turning counter clockwise (see figure 1)

A gentle tap against the handle may be necessary, if the lid was over tithed

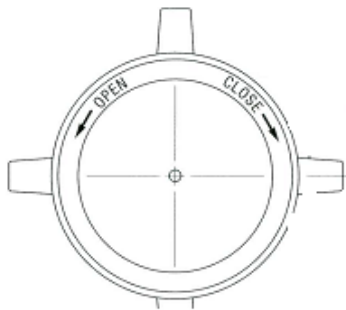
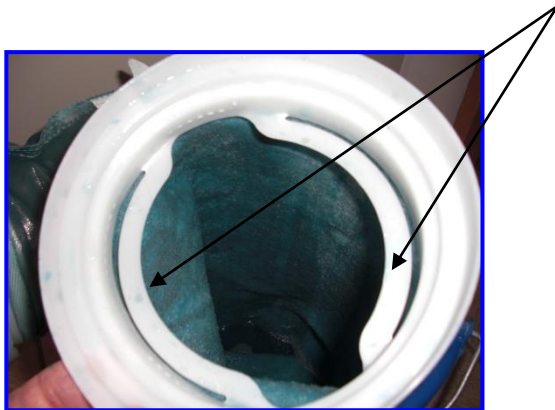


Fig 1

Remove the filter bag with caution via the bag handles



Shape the new filter bag, insert it into the filter-housing and position it manually.

Fill up the empty filter bag with Activated Carbon.

Check the position of the "O" ring from the lid.

stall the lid by turning clockwise (see figure 1) until it bottoms up.

Close the drain valve #2

Open the inlet valve #1 and outlet valve #3

Start up the PP filter unit as described in the start up procedure

3.3 Maintenance mode:

Perform the maintenance instructions as described below when cleaning the Processor.

How to proceed?



- Switch the unit off by means of the main switch.
- Drain sections from the Processor.
- Open the drain valve #2
- Open the filter lid.
- Remove the filter bag.
- Close the drain valve #2 when filter lid empty.
- Fill up all sections from Processor and Filter unit manually with water.
- Close the filter lid.
- Power on the S-R-PP filter and start the circulation for 15 minutes



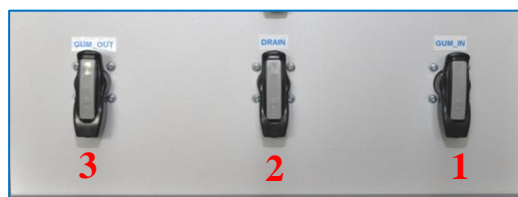
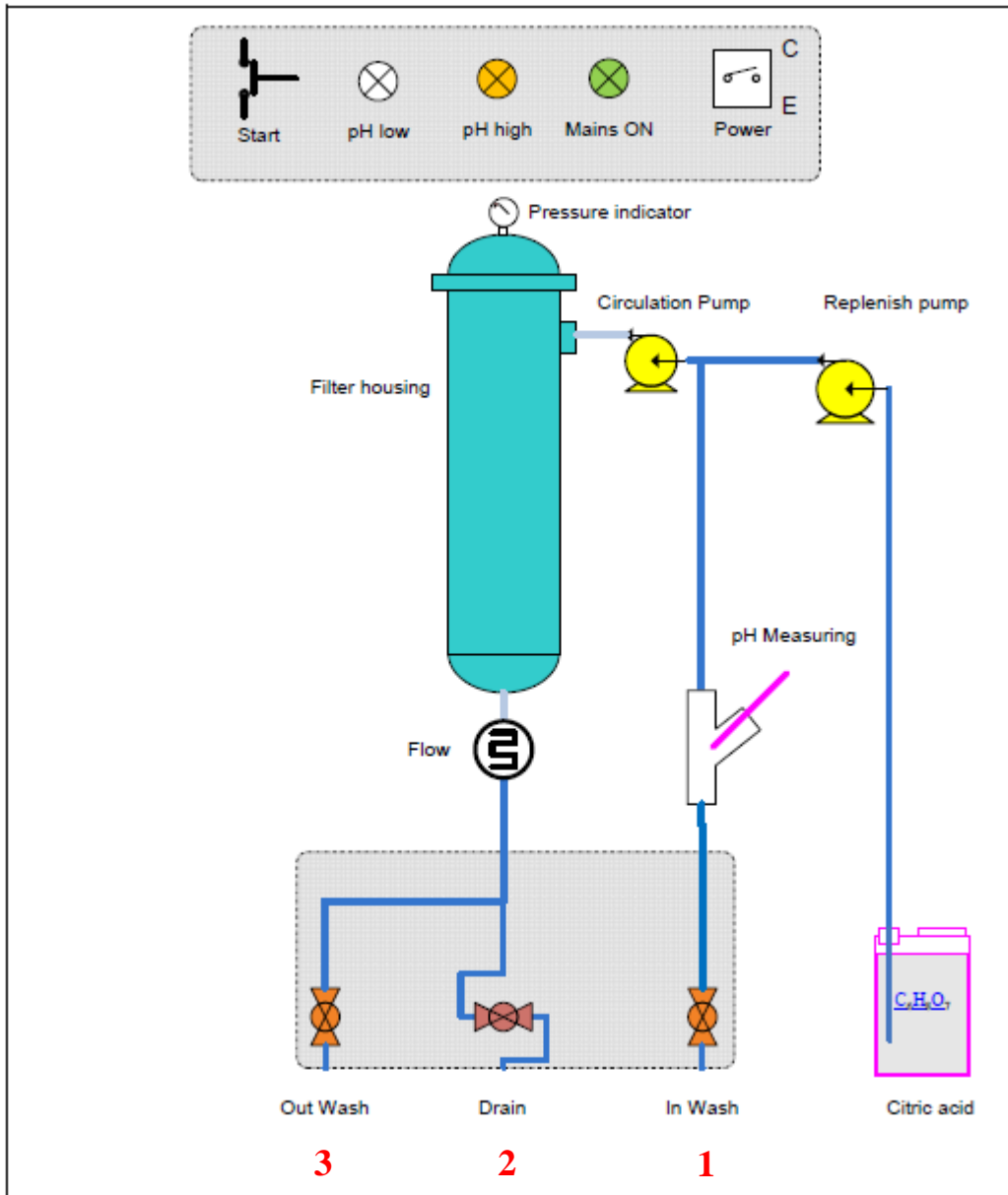
Repeat same procedure if necessary with clean water.



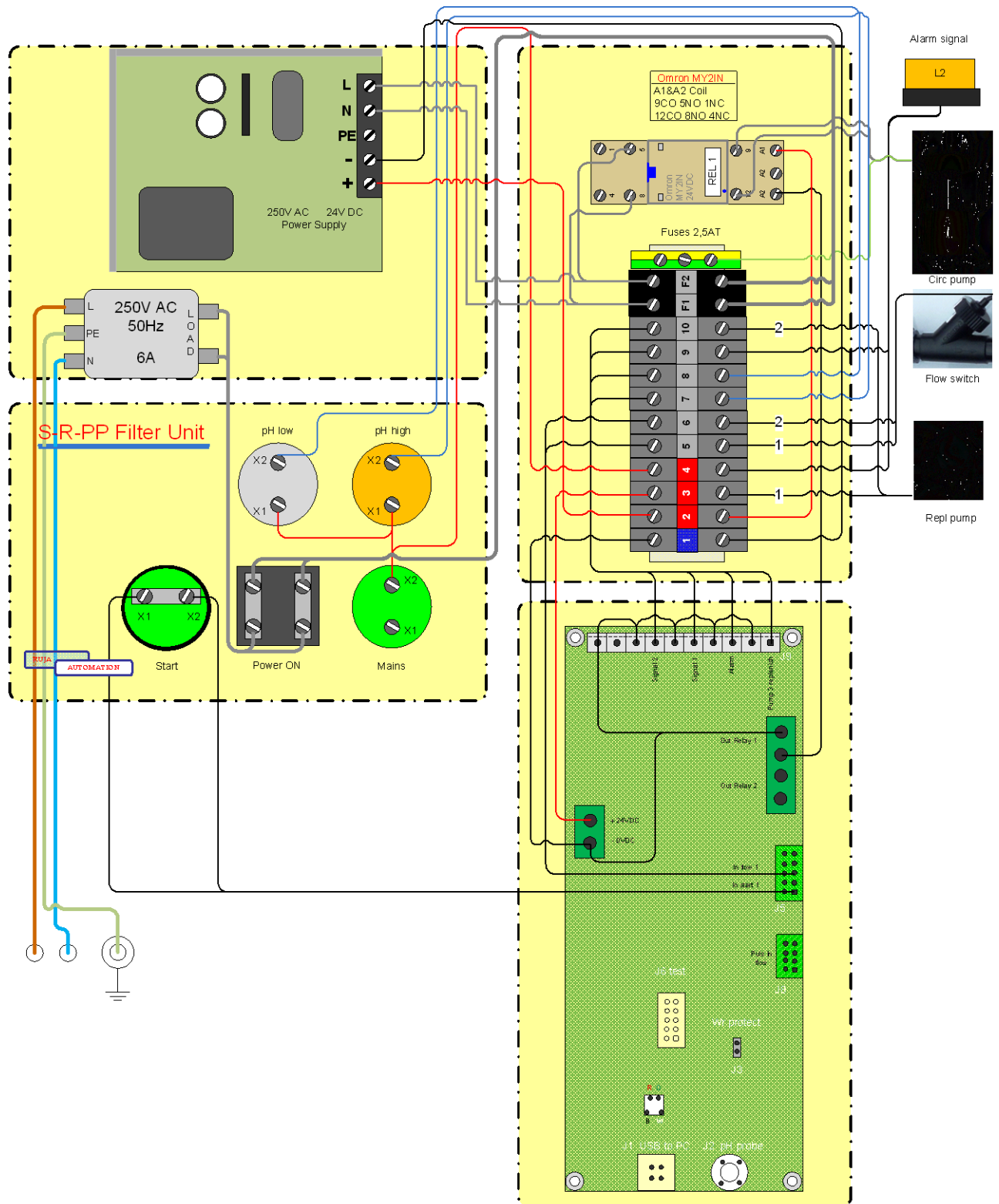
After maintenance procedure install new filter bag with Activated Carbon.



3.4 Hydraulic scheme:



3.5 Wiring diagram:



4. Spare parts

<u>Filter</u>	<u>code</u>
S R PP Filter Unit	S R PP Filter Unit
Activated Carbon granular AA	RU+CA0020
Filter Bag 10 micron	RU+FB0010
Filter Bag 25 micron	RU+FB0025
Filter Bag 50 micron	RU+FB0050
Filter Bag 100 micron	RU+FB0100
Acid Citric replenisher C ₆ H ₈ O ₇	RU+IK0001
Spare pH probe	RU+EL0023

5. Ordering parts info:

E mail: ruja.automation@gmail.com

www.ruja.be