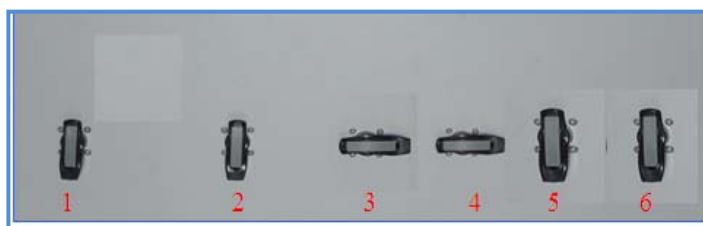
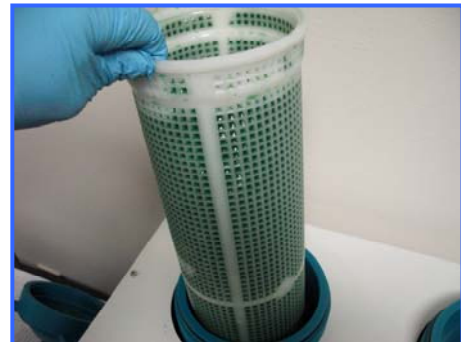
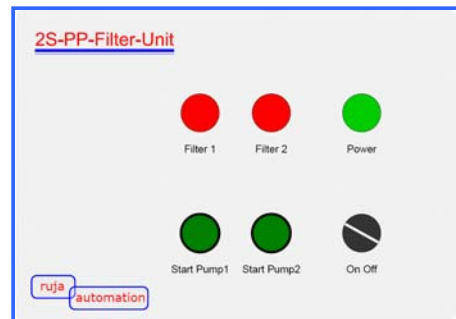


User manual

2S - PP - Filter - Unit



1. Technical specifications
2. Safety instructions
3. User section
4. Spare parts list
5. Ordering info

1. Technical specifications

DIMENSIONS		
Width		700 mm
Height		1100 mm
Depth		350mm
MECHANICAL SPECIFICATIONS		
Temperatures		
Developer	Min. - Max.	20 - 50 °C
Avtivator	Min. - Max.	20 - 50 °C
Water	Min. - Max.	20 - 50 °C
Tank volumes (excl. Hoses to processor) Filter Unit		2 x 8 l
ELECTRICAL SPECIFICATIONS		
Power Supply EUR-models		2W + PE, 230V / 2x1 A, 50-60 Hz
Voltage tolerances		± 10%
Power consumption EUR models Max		200 Watts

APPROVALS	
CE regulations	
The 2S-PP Filter Unit complies with:	▪ Machine Directive 98/37/EG

WEIGHTS	
Filter Unit including Filter Bag	
▪ Shipping	70 kg
▪ Empty	50 kg
▪ With liquid	approx. 60 kg

2. Safety instructions

This chapter lists general safety prescriptions to be taken into account before you start operating the filter unit or perform maintenance and troubleshooting.



Handling instructions concerning chemicals:

- Do not drain chemicals into public sewage systems without checking local regulations.
- Avoid inhaling chemical vapours.
- Refer to Material Safety data sheet (MSDS) of your local chemicals supplier.

• Wear protective



gloves and safety



goggles against

splashing of chemicals and when handling chemicals or replacing the filter bag.



Repair and troubleshooting:

Turn off the main switch before you carry out any intervention.



Only skilled/trained technicians can perform repairs and troubleshooting.

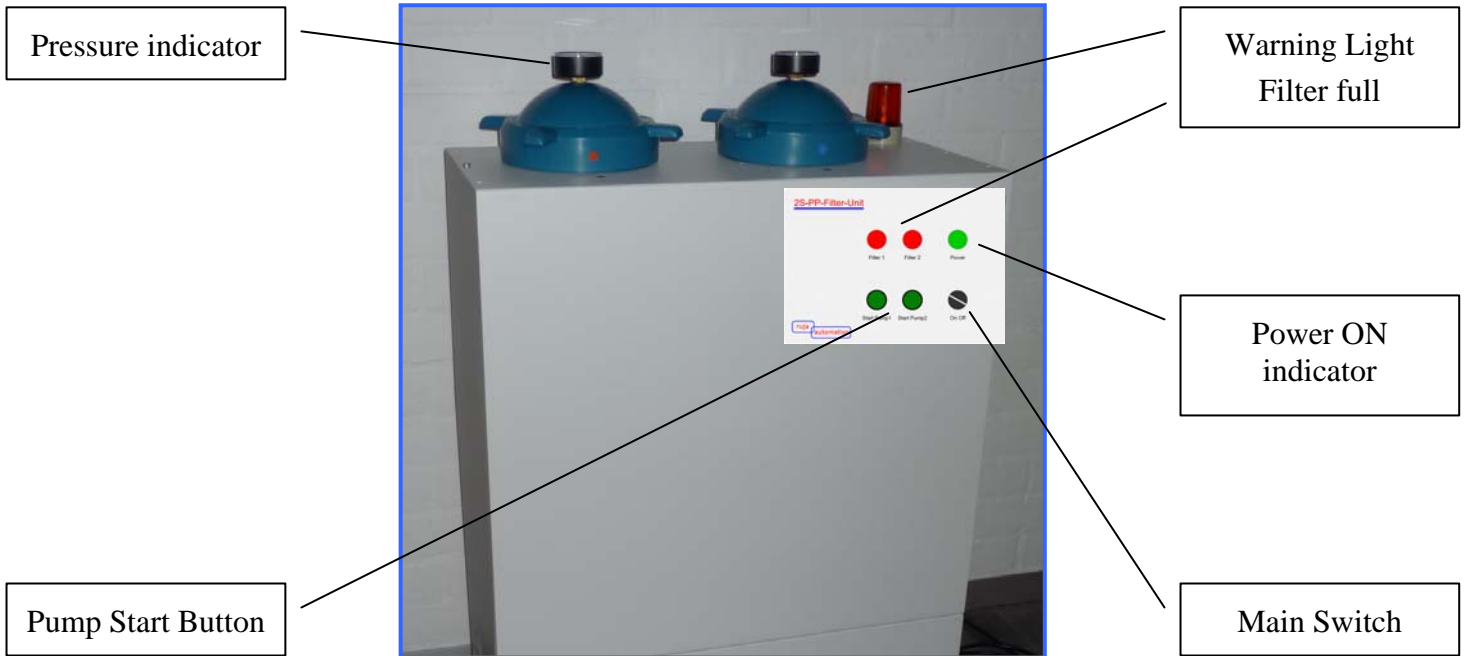


Spare parts:

Use only genuine spare parts to prevent malfunction of the unit.

3. User section

3.1 General: The 2S-PP filter unit is a plug and play device with easy to use key features.



 Start up:

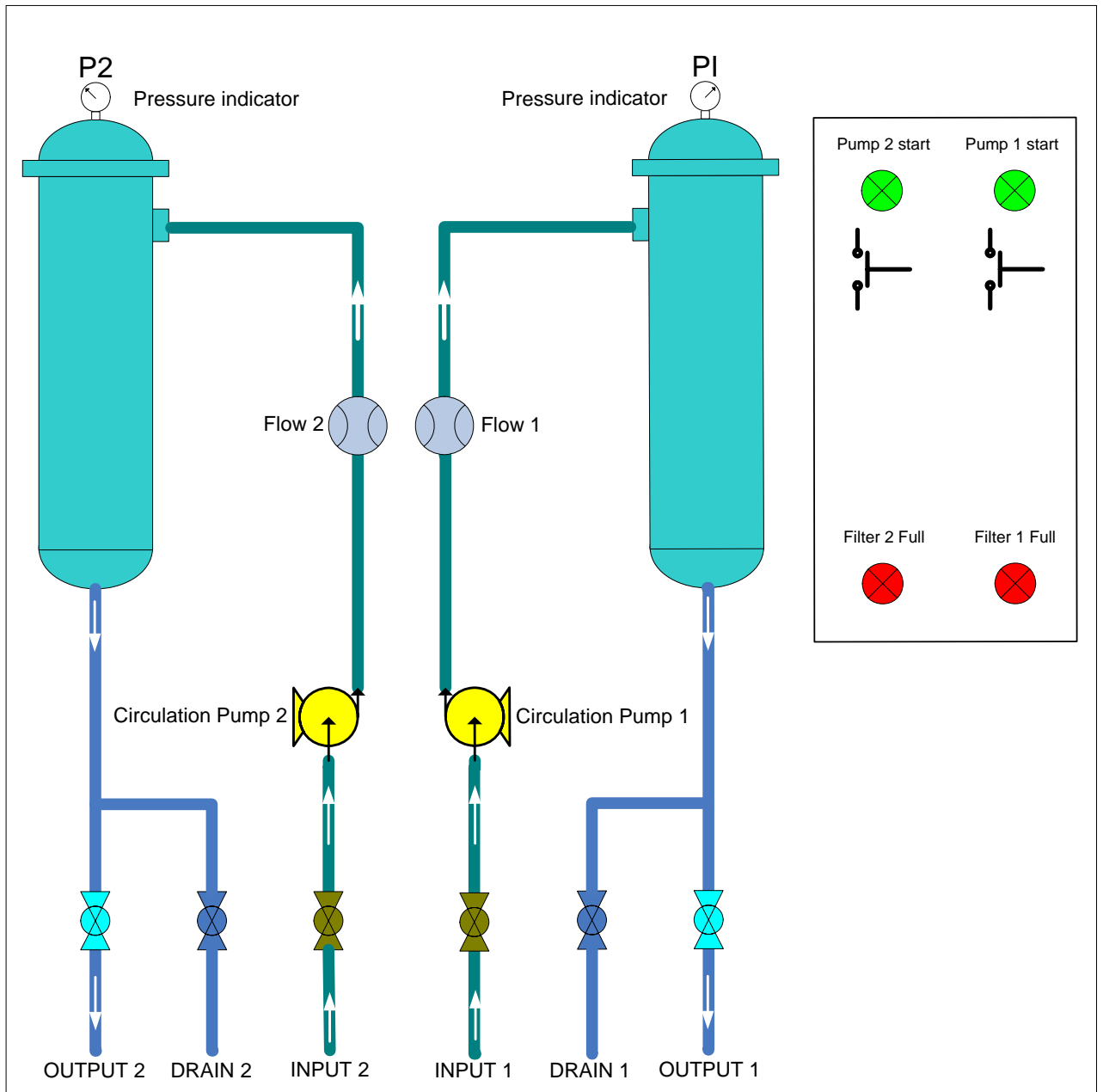
- Check if valves 1,2,5 and 6 are in vertical position (picture).
- Install Filter Bags.
- Check if valves 3 and 4 are in horizontal position (picture).
- Main switch on.
- Power on led will lid
- Press the start buttons to activate the circulation pump 1 and 2.
- Pressure indicators will increase up to 0.2 bar
- The 2S-PP Filter unit is now active.



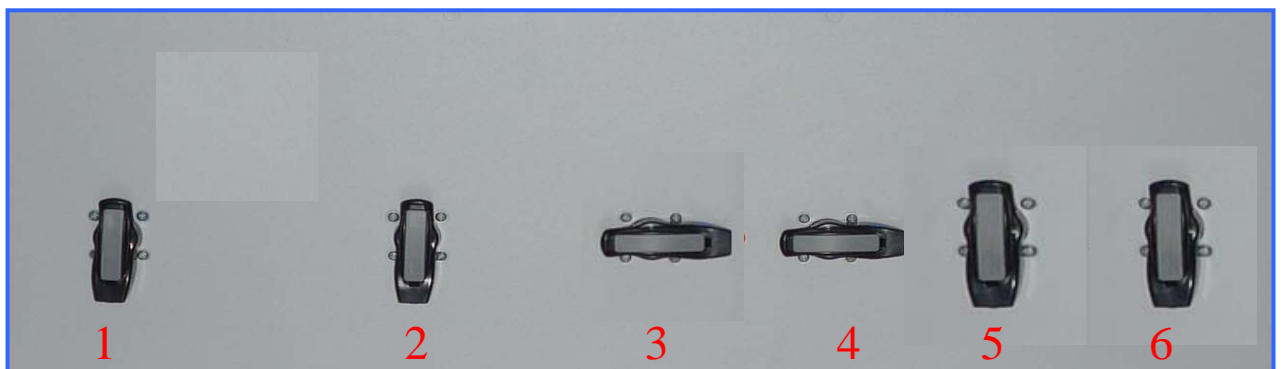
 Filter full status: **When using Lithostar replace both Filter Bags weekly!**

- Pressure will rise up to 0.5 bar (+/- 0.05 bar)
- Warning light will lid and circulation pump stop.
- Select the second empty filter and press the start button to activate the pump again.
- If both filters are full, turn of the main switch
- Replace both filters ⇒ see chapter 3.3 changing the filter bag
- Start up the 2S-PP filter unit as described in the start up procedure

3.2 Hydraulic scheme:



Valve 2 3 1 6 4 5



3.3 Changing the Wash filter bag:



Switch off the filter unit

Close the inlet valve **1 or and 6**

Close the outlet valve **3 or and 5**

Drain the filter, via the drain valve **3 or and 4**

Check the pressure indicator **PI / P2->** should be zero.

Do not open the filter under pressure!

Remove the lid from the filter housing by turning counter clockwise (see figure 1)

A gentle tap against the handle may be necessary, if the lid was over tightned

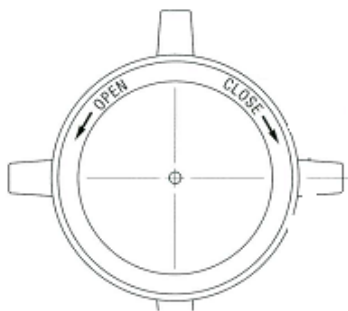
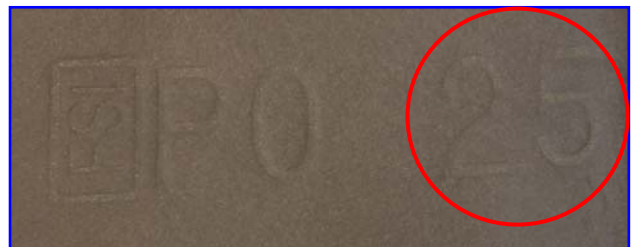
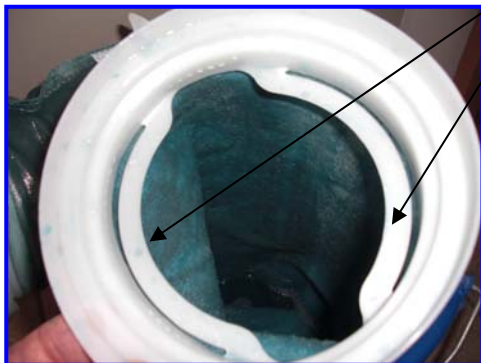


Fig 1



Remove the filter bag with caution via the bag handles



Select the correct Filter size 5, 10 or **25 μ.**

Shape the new filter bag, insert it into the filter housing and position it manually

Check the position of the o ring

Install the lid by turning clockwise (see figure 1) until it bottoms up, and both indicators are according figure 2

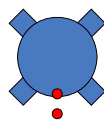
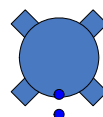


Fig 2



Close the drain valve **3 or and 4**

Open the inlet valve **1 , 2** and outlet valve **5 , 6**

Start up the PP filter unit as described in the start up procedure

3.4 Maintenance mode:

Perform the maintenance instructions as described below, each 2400m² plate production.

How to proceed?



Switch the unit off by means of the main switch

Open the drain valves **3 and 4**

Open the filter lid

Remove the filter bag

Close the drain valves **3 and 4** when filter lid empty.

- **Lithostar** -> Fill up manually with warm water (max 40°C)

Close the filter lid

- Make sure the Wash section of the Processor is empty and refilled with warm water (max 40°C)

Power on the PP filter for 5 minutes



Perform the same procedure with water.



Perform the same procedure for the second filter.



The PP filter maintenance is now executed.

3.5 Recycling Silver:

In case of recuperating the Silver in the Wash Sludge, we recommend to dry first the filter bags (see picture).

After the drying process it is more easily to burn the filter bags in an appropriate oven.



For Silver recovering please take contact with a local recycling organisation.

4. Spare parts

Filter Bag 5 micron	RU+FB0005
Filter Bag 10 micron	RU+FB0010
Filter Bag 25 micron	RU+FB0025

5. Ordering parts info:

E mail: ruja.automation@gmail.com

or

Fax: +32 3 290 00 85