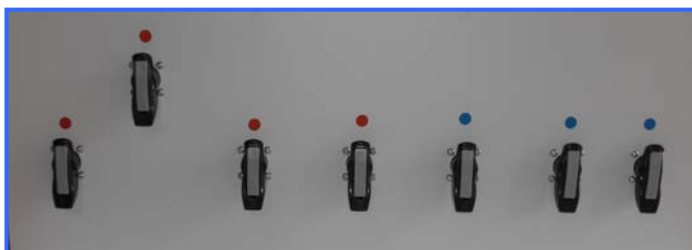
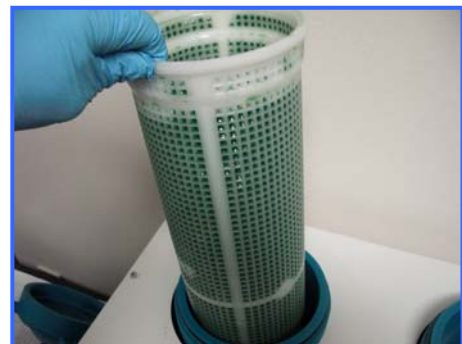


User manual

D - R - PP - Filter - Unit



1. Technical specifications
2. Safety instructions
3. User section
4. Spare parts list
5. Ordering info

1. Technical specifications

DIMENSIONS	
Width	800 mm
Height	1100 mm
Depth	350mm
MECHANICAL SPECIFICATIONS	
Temperatures	
Developer Min. - Max.	20 - 50 °C
Activator Min. - Max.	20 - 50 °C
Water Min. - Max.	20 - 50 °C
Tank volumes (excl. Hoses to processor) Filter Unit	2 x 8 l
ELECTRICAL SPECIFICATIONS	
Power Supply EUR-models	2W + PE, 230V / 2x4 Amps, 50-60 Hz
Voltage tolerances	± 10%
Power consumption EUR models Max	400 Watts

APPROVALS	
CE regulations	
The D-R-PP Filter Unit complies with: ▪ Machine Directive 98/37/EG	

WEIGHTS	
Filter Unit including Filter Bag	
▪ Shipping	80 kg
▪ Empty	60 kg
▪ With liquid	approx. 70 kg

2. Safety instructions

This chapter lists general safety prescriptions to be taken into account before you start operating the filter unit or perform maintenance and troubleshooting.



Handling instructions concerning chemicals:

- Do not drain chemicals into public sewage systems without checking local regulations.
- Avoid inhaling chemical vapours.
- Refer to Material Safety data sheet (MSDS) of your local chemicals supplier.

• Wear protective



gloves and safety



goggles against

splashing of chemicals and when handling chemicals or replacing the filter bag.



Repair and troubleshooting:

Turn off the main switch before you carry out any intervention.



Only skilled/trained technicians can perform repairs and troubleshooting.



Spare parts:

Use only genuine spare parts to prevent malfunction of the unit.

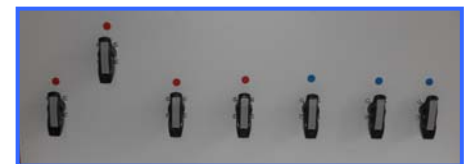
3. User section


3.1 General: The PP filter unit is a plug and play device with easy to use key features.




 Start up:

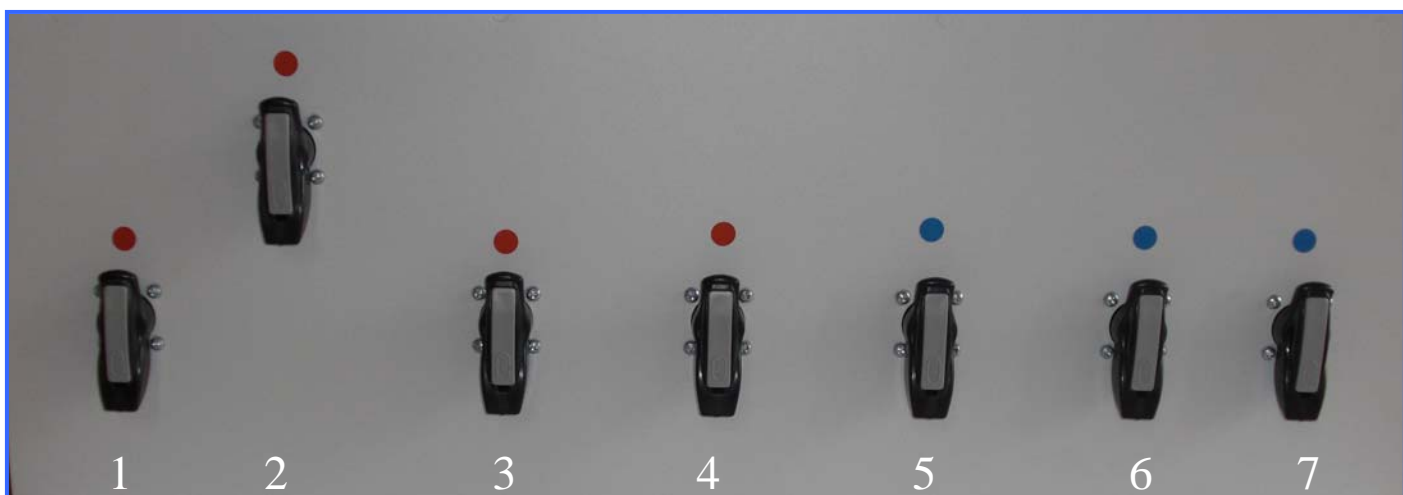
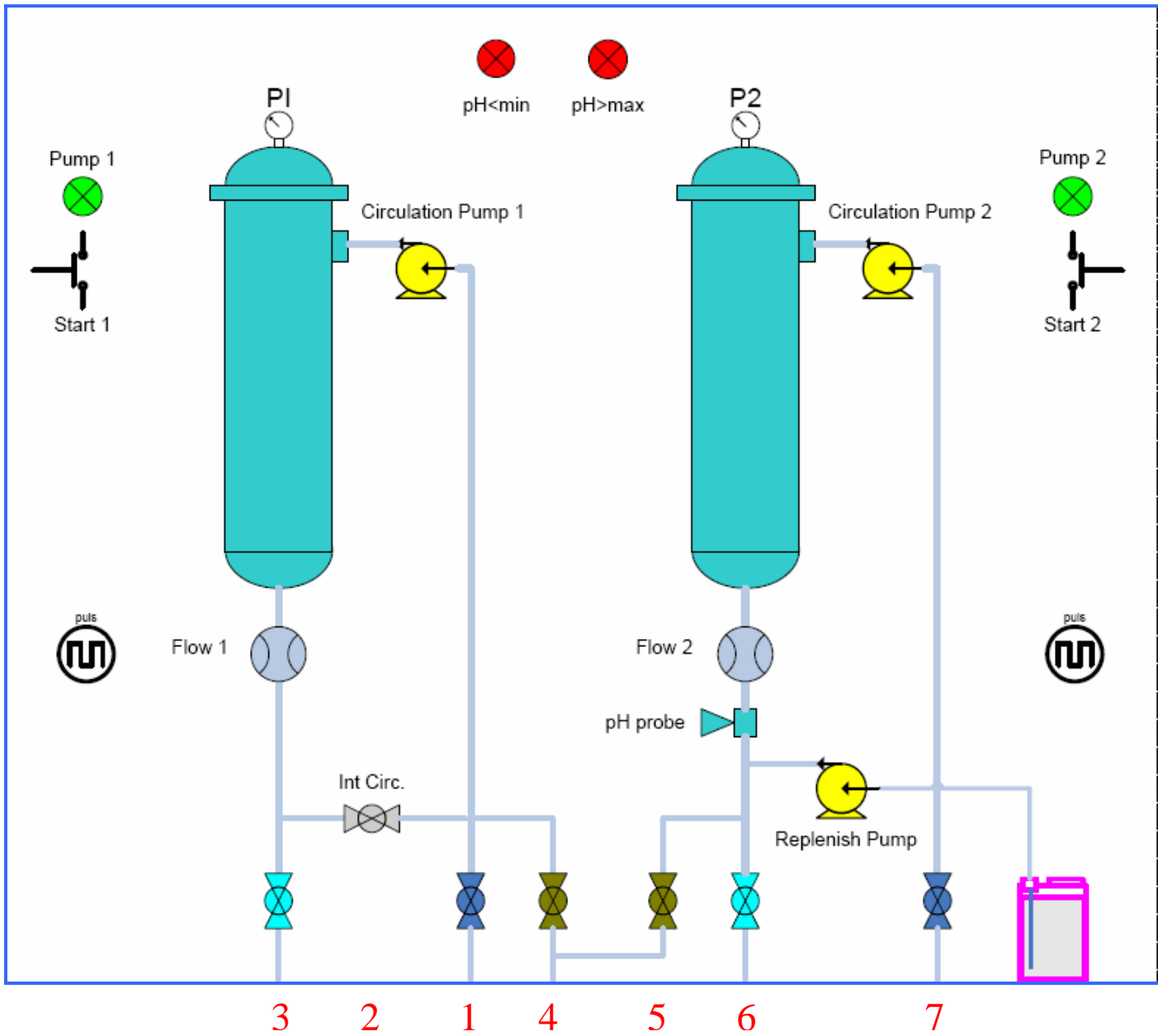
- Check if all valves (1 to 4) are in vertical position (see picture)
- Install Filter Bag.
- Main switch on.
- Power on led will lid
- Press the 2 x start buttons to activate the circulation pumps
- Pressure indicators will increase up to 0.2 bar
- The D-R-PP Filter unit is now active



 Filter full status:

- Pressure will rise up to 0.4 bar (+/- 0.05 bar)
- Both warning lights will lid and a sound warning signal  will be activated
- Turn of the main switch
- Replace filter => see chapter 3.3 changing the filter bag
- Start up the PP filter unit as described in the start up procedure

3.2 Hydraulic scheme:



3.3 Changing the Developer filter bag:



Switch off the filter unit

Close the inlet valve 1

Close the outlet valve 3

Drain the filter, via the drain valve 4

Check the pressure indicator PI -> should be zero.

Do not open the filter under pressure!

Remove the lid from the filterhousing by turning counterclockwise (see figure 1)

A gentle tap against the handle may be necessary, if the lid was overtightened

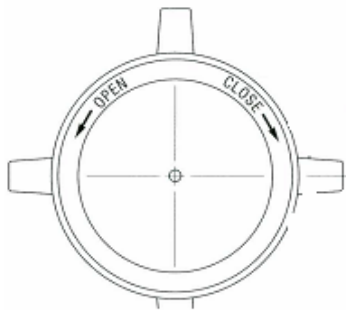
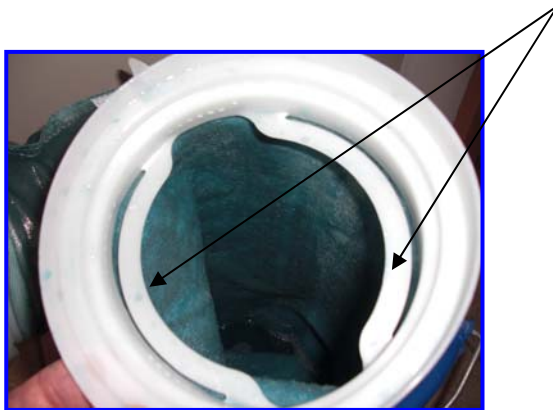


Fig 1

Remove the filter bag with caution via the bag handles



Shape the new filter bag, insert it into the filterhousing and position it manually

Check the position of the o ring

Install the lid by turning clockwise (see figure 1) until it bottoms up, and both indicators are according figure 2

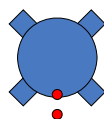


Fig 2

Close the drain valve 4

Open the inlet valve 1 and outlet valve 3

Start up the PP filter unit as described in the start up procedure

3.3 Changing the Wash water filter bag:



Switch off the filter unit

Close the inlet valve **7**

Close the outlet valve **6**

Drain the filter, via the drain valve **5**

Check the pressure indicator **P2** -> should be zero.

Do not open the filter under pressure!

Remove the lid from the filterhousing by turning counterclockwise (see figure 1)

A gentle tap against the handle may be necessary, if the lid was overtightened

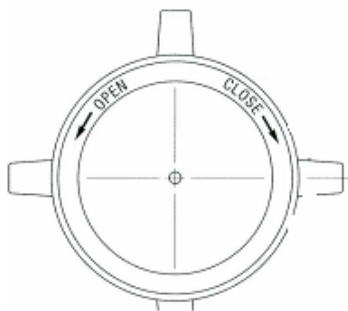
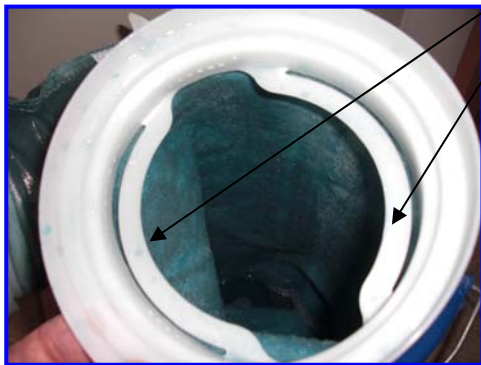


Fig 1

Remove the filter bag with caution via the bag handles



Shape the new filter bag, insert it into the filterhousing and position it manually

Check the position of the o ring

Install the lid by turning clockwise (see figure 1) until it bottoms up, and both indicators are according figure 2

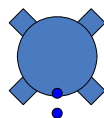


Fig 2

Close the drain valve **5**

Open the inlet valve **7** and outlet valve **6**

Start up the PP filter unit as described in the start up procedure

3.4 Maintenance mode:

Perform the maintenance instructions as described below, each 3 months.

How to proceed?



Switch the unit off by means of the main switch

Close the outlet valve **3** and inlet valve **1**

Open the drain valve **4**

Open the filter lid

Remove the filter bag

Close the drain valve **4** when filter lid empty.

- **Thermal & photopolymer** -> Fill up manually with Altec T236* and water

Open the rinsing valve **2**

Close the filter lid

Power on the PP filter for 5 minutes



Perform the same procedure with water.



Perform the same procedure for the wash section.



The PP filter maintenance is now executed.

* The cleaner Altec T236 can be ordered from your local Agfa dealer

4. Spare parts

Filter Bag 5 micron	RU+FB0005
Filter Bag 10 micron	RU+FB0010
Filter Bag 25 micron	RU+FB0025

5. Ordering parts info:

E mail: ruja.automation@gmail.com

or

Fax: +32 3 290 00 85