

LAUNCH GUIDE

S-R-PP-Filter-Unit



1. Preface

The positioning of the S-R-PP - Filter - Unit is in the medium/high market segment from 5.000 m²/year.

This guide is meant to give you all the necessary information to successfully launch and support this Filter System in your country and within your organization.



2. System Description

Ruja Automation is pleased to present a Filter System for filtering the Wash Water in the Rinse section of the Processor, that combine affordable pricing with reliability and high performance. The Filter Unit is rated for use with either Polymer and Thermal chemistry at printers with a plate consumption above 5000 m²/year.

The Filter Unit come ready-to-use and benefits from advanced design and the highest build quality using only the best components.

The simple design ensures ease of use as well as low maintenance and is ideal for the medium/high volume plate user.

The Filter Unit includes standard the following features:

- Small footprint
- Applicable for Wash water in Polymer & Thermal systems.
- Automatic "Filter Bag full" alarm
- Easily Filter Bag and Carbon replacement
- Internal flushing and circulation mode for maintenance
- Automatic replenish system in order to keep the Wash water with neutral pH.
- USB interface for parameter settings with PC

3. Specifications

DIMENSIONS		
Width		400 mm
Height		1100 mm
Depth		350mm
MECHANICAL SPECIFICATIONS		
Temperatures		
Developer	Min. - Max.	20 - 40 °C
Aktivator	Min. - Max.	20 - 40 °C
Water	Min. - Max.	20 - 50 °C
Tank volumes		
(excl. Hoses to processor) Filter Unit		8 l
ELECTRICAL SPECIFICATIONS		
Power Supply		
EUR-models		2W + PE, 230V / 2x1 Amps, 50-60 Hz
Voltage tolerances		± 10%
Power consumption		
EUR models Max		200 Watts

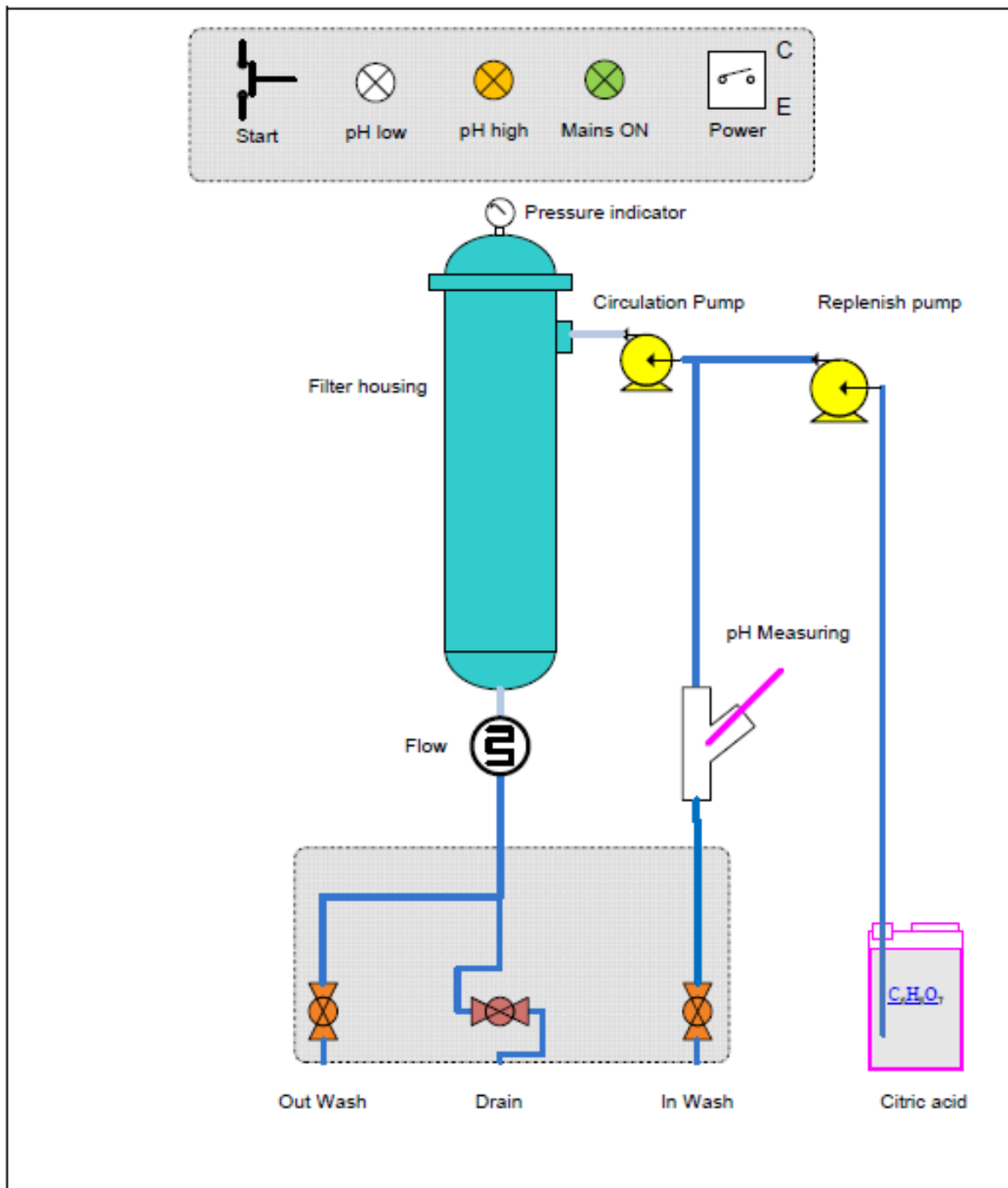
APPROVALS
The S R PP Filter Unit complies with: ▪ CE safety standards

WEIGHTS	
Filter Unit including Filter Bag	
▪ Shipping	60 kg
▪ Empty	40 kg
▪ With liquid	approx. 53 kg

4. Ordering Information

<u>Filter</u>	<u>code</u>
S R PP Filter Unit	S R PP Filter Unit
Activated Carbon granular AA	RU+CA0020
Filter Bag 10 micron	RU+FB0010
Filter Bag 25 micron	RU+FB0025
Filter Bag 50 micron	RU+FB0050
Filter Bag 100 micron	RU+FB0100
Acid Citric replenisher C ₆ H ₈ O ₇	RU+IK0001
Spare pH probe	RU+EL0023

5. Flow Diagram



6. Electrical Schematic

