

LAUNCH GUIDE

S - PP - Filter - Unit



1. Preface

The positioning of the S - PP - Filter - Unit is in the medium/high market segment from 5.000 m²/year.

This guide is meant to give you all the necessary information to successfully launch and support this Filter System in your country and within your organization.



2. System Description

Ruja Automation is pleased to present a Filter System, that combine affordable pricing with reliability and high performance. The Filter Unit is rated for use with either Polymer, Lithostar and Thermal chemistry at printers with a plate consumption above 5000 m²/year.

The Filter Unit come ready-to-use and benefits from advanced design and the highest build quality using only the best components.

The simple design ensures ease of use as well as low maintenance and is ideal for the medium/high volume plate user.

The Filter Unit includes standard the following features:

- Small footprint
- Applicable for Polymer & Thermal Developers and Activators
- Applicable for Lithostar Wash
- Automatic "Filter Bag full" alarm
- Easily Filter Bag replacement
- Internal flushing and circulation mode for maintenance

3. Specifications

DIMENSIONS	
Width	400 mm
Height	1100 mm
Depth	350mm
MECHANICAL SPECIFICATIONS	
Temperatures	
Developer Min. - Max.	20 - 40 °C
Aktivator Min. - Max.	20 - 40 °C
Water Min. - Max.	20 - 50 °C
Tank volumes (excl. Hoses to processor) Filter Unit	8 l
ELECTRICAL SPECIFICATIONS	
Power Supply EUR-models	2W + PE, 230V / 2x1 Amps, 50-60 Hz
Voltage tolerances	± 10%
Power consumption EUR models Max	200 Watts

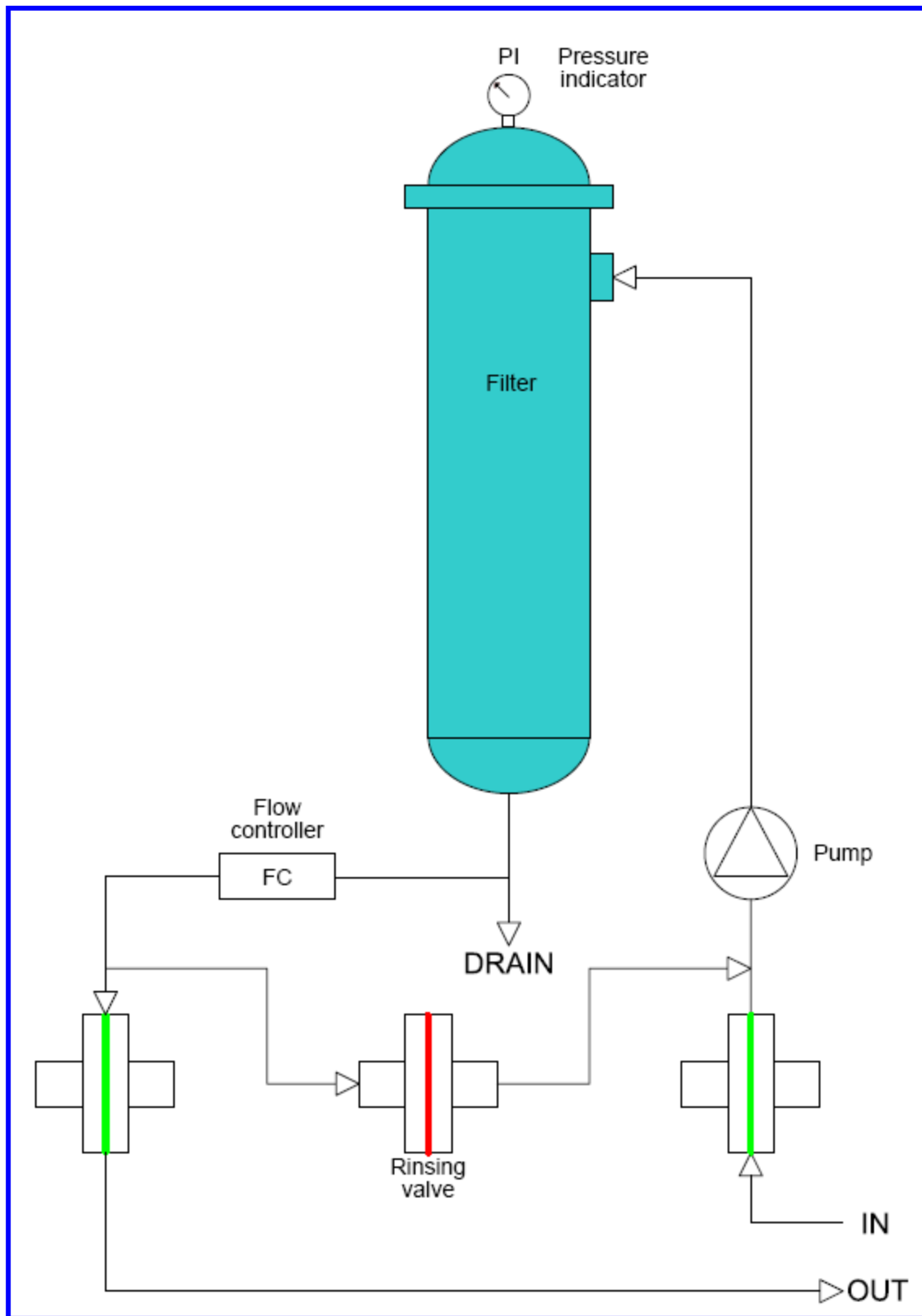
APPROVALS	
The S PP Filter Unit complies with:	<ul style="list-style-type: none"> ▪ CE safety standards

WEIGHTS	
Filter Unit including Filter Bag	
<ul style="list-style-type: none"> ▪ Shipping ▪ Empty ▪ With liquid 	<p>60 kg</p> <p>40 kg</p> <p>approx. 53 kg</p>

4. Ordering Information

Filter	code
S PP Filter Unit	S PP Filter Unit
Filter Bag 5 micron	RU+FB0005
Filter Bag 10 micron	RU+FB0010
Filter Bag 25 micron	RU+FB0025
Ph Replenish System	TBA
Water Filter	TBA

5. Flow Diagram



6. Electrical Schematic

