

## How to connect a D-R-PP-Filter-Unit with an Elantrix HX

**1- Contents:**

- 15 x Clamp
- 4 x Valve
- 5 x Connection nipple



1 x Connection piece IN Dev tray



Connection piece OUT Dev tray

10m Hose dia 20 mm



1 x Connection piece IN Rinse tray



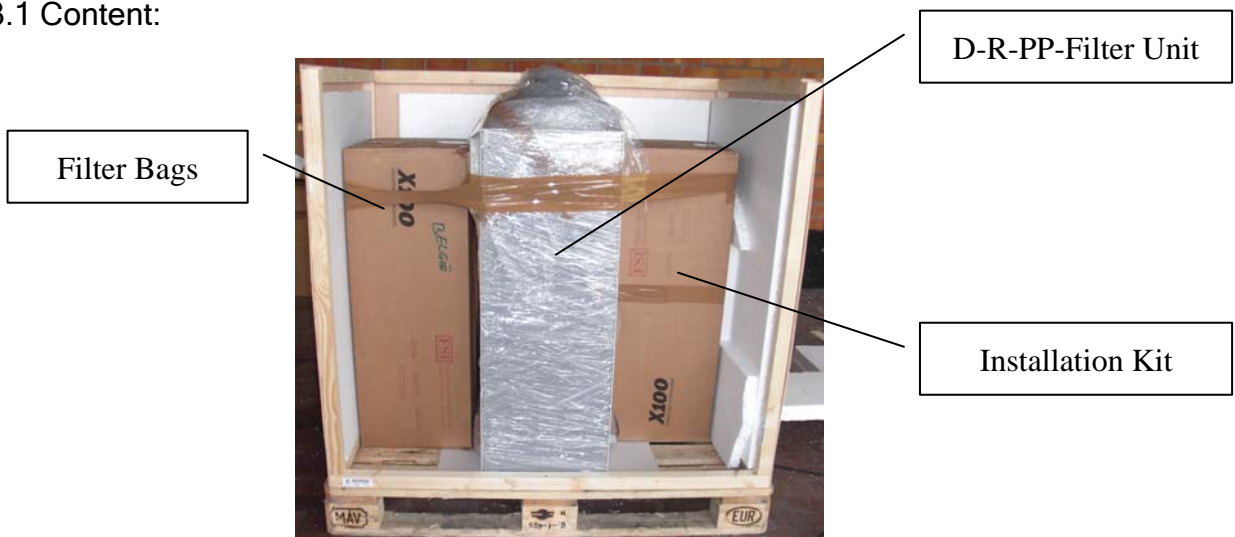
Connection piece OUT Rinse tray

**2- Tools needed:**

- Screw driver
- Knife
- Drilling machine
- Drill dia 26 mm
- PVC glue (Tangit) & Teflon

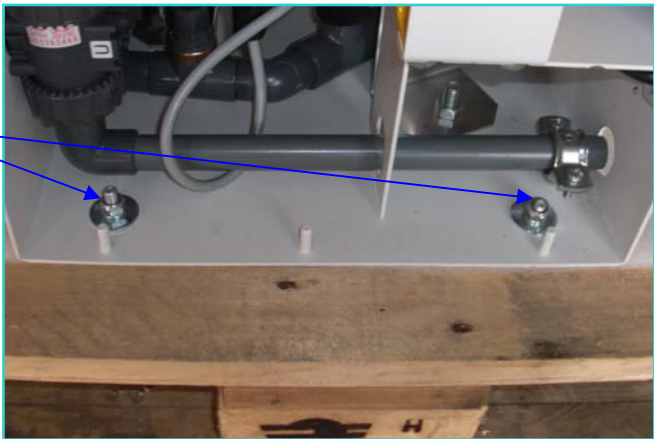
**3- Unpacking:**

3.1 Content:



3.1 Preparation:

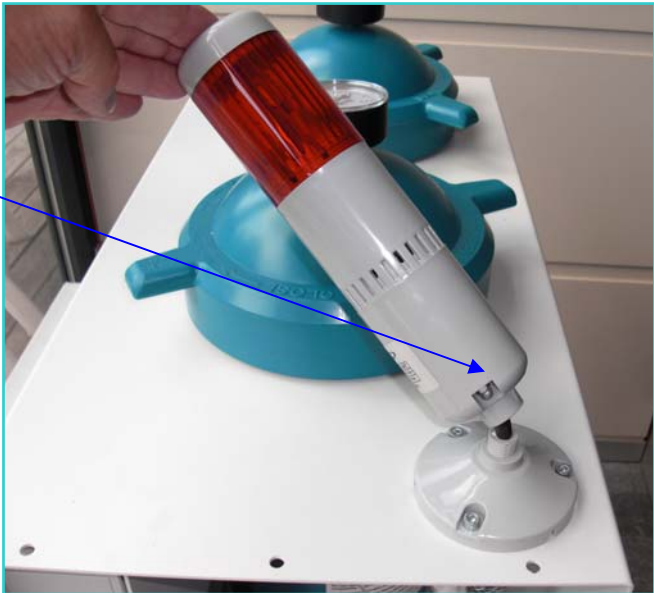
Unscrew the 4 fixation bolts



Install the 4 wheels.



Install the Tower light into the vertical position.



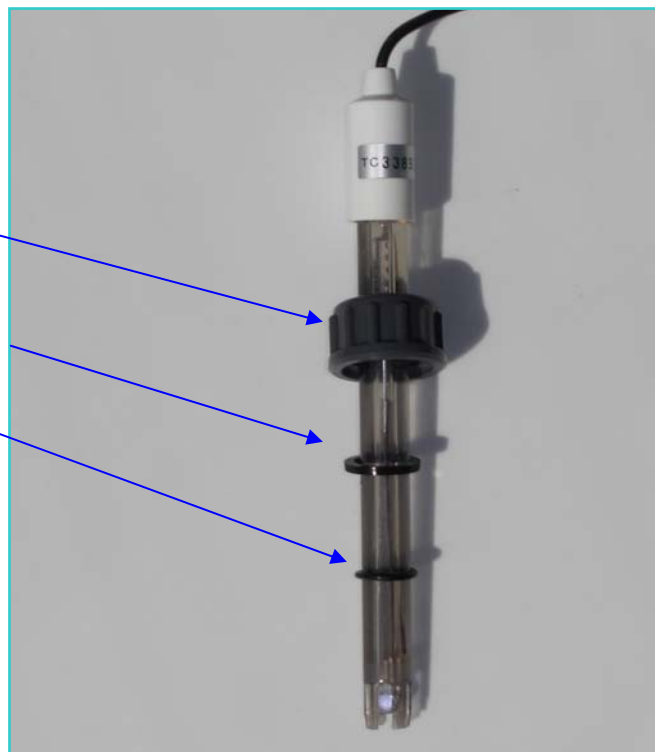
Remove the pH probe from the circulation tube.

Unpack the probe, take care of "O" rings and fluid container.



Remove the fluid container and put the PVC plug into position.

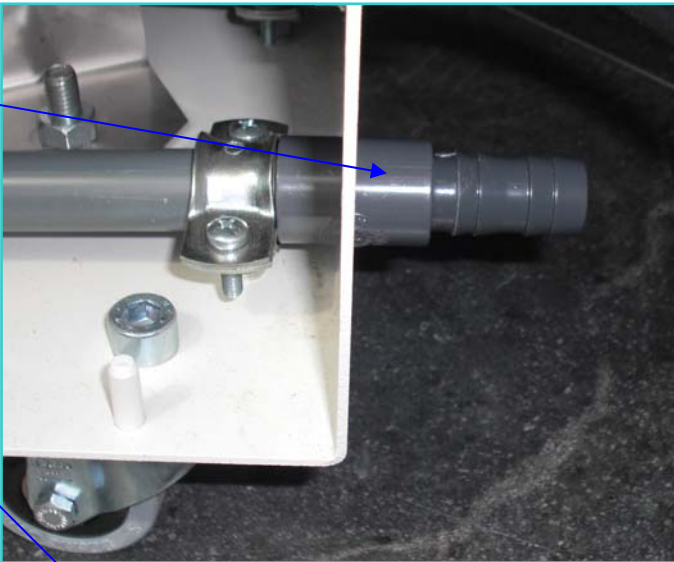
Slide the 2 "O" rings (first the large and then the smaller one).



Install the pH probe in the lower section of the Filtration Unit. This PVC "T" part is in the return flow direction of the Water Filter.

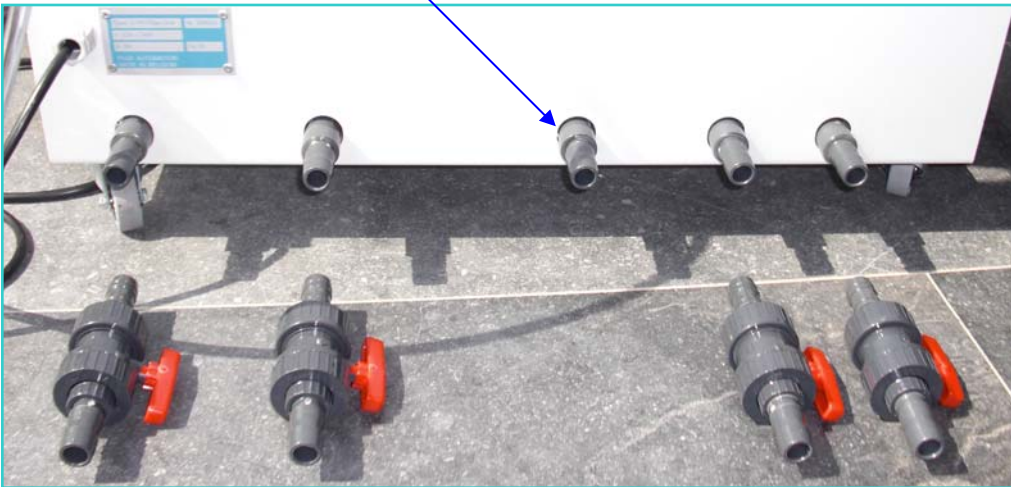


Carefully tighten the PVC plug to prevent leakages.



Glue the 5 PVC pipe connection nipples.

Use "Tangit" PVC glue to fix The "5" nipples.





### 3.2 Connection:

Prepare the hoses and valves

Length of the hoses = 250 mm

! Do not yet connect them to the filter unit



Drill a hole dia 26 mm thru the wall of the Elantrix HX Dev tank (left side).

Position 180mm below the top of the Polyprop Dev tray and 75mm right of the metal frame.

Remove the burrs on the drilled hole

Install the hose connection piece, the black rubber ring inside and the white plastic ring outside the tray wall.

Drill a hole dia 26 mm thru the wall of the Elantrix HX Dev tank (bottom part).

Look for the lowest position to ensure a perfect drainage.

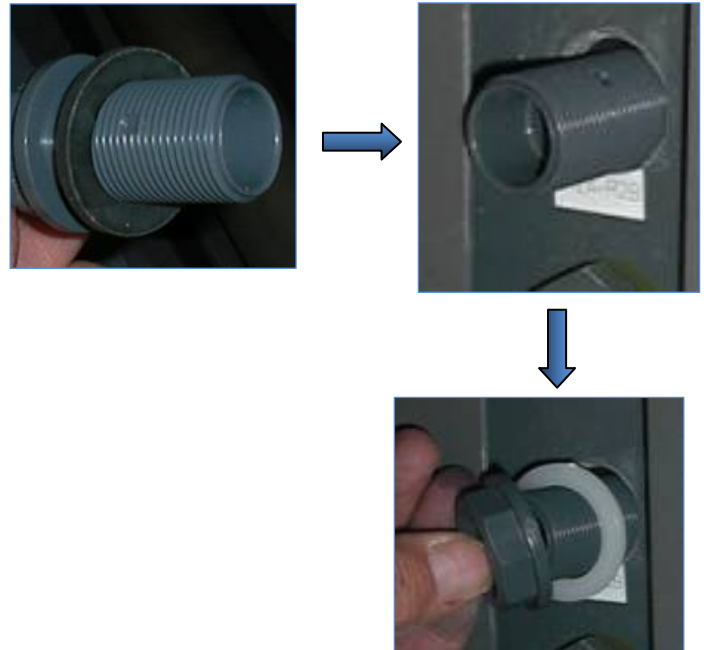
Remove the burrs on the drilled hole



---

Put the rubber sealing on the tank connection piece

Mount the connection piece into the tank, rubber sealing inner side



Screw the nut on the connection piece, reinforcement ring against the tank wall

---

Screw the connection piece in the bottom part of the Dev tank  
Use the Teflon to ensure a "leak proof" connection



---

Drill a hole dia 26 mm thru the wall of the Elantrix HX Rinse tray (left side).

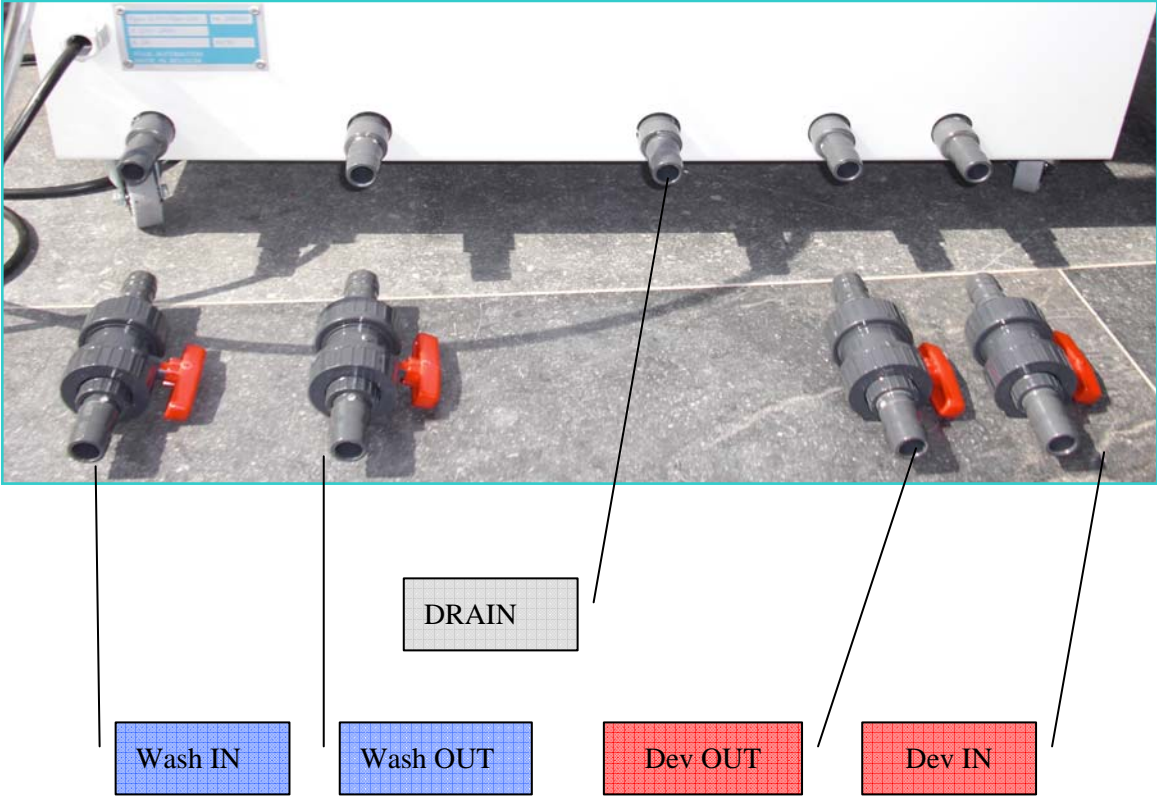
Check for the optimal position.  
Remove the burrs on the drilled hole

Drill a hole dia 26 mm thru the bottom of the Rinse tray .



Connect the hoses with valves to the filter unit.  
There are 4 valves IN -OUT Dev section  
and IN-OUT Wash section.

*The Drain has no extra valve.*



#### 4. Finalization:

Clean the Dev & Rinse tank and make sure that all PVC particles are removed  
Re-install the rollers, brushes and guide plates.

Connect the Filter Unit to the mains.

The modification is now finished, for start up refer to the user manual.

---

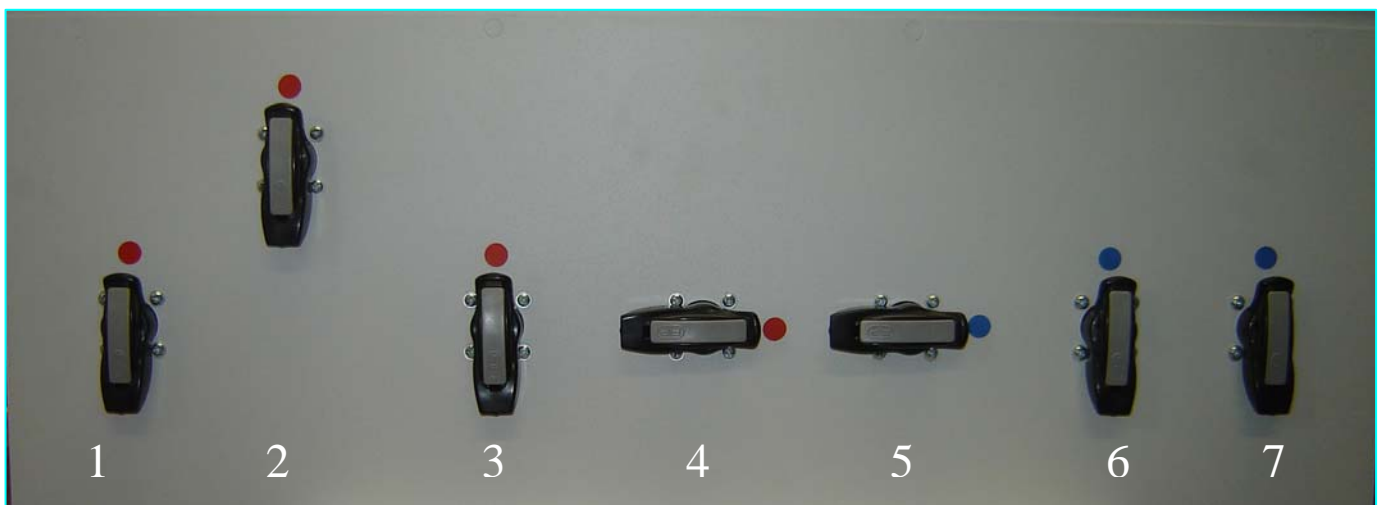
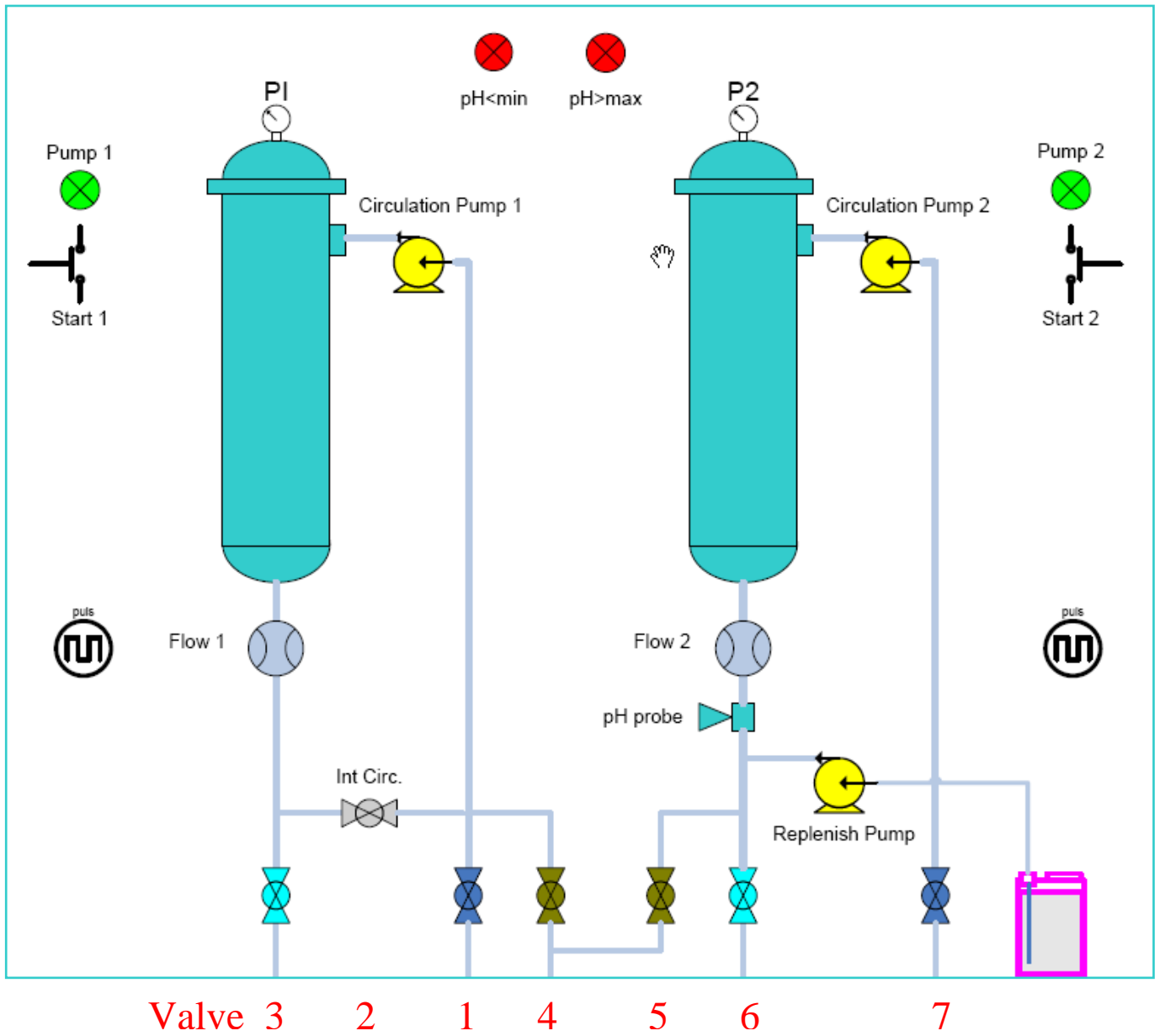
#### 5. Software Installation:

Copy the software file “pHController.exe” on your PC.

- Run this file and follow on screen instructions.
- It will install the necessary drivers and firmware on your PC.
- Connect your PC with a USB cable to the Filter Unit and power up the system.
- Run the “pHController\_proj.exe” file the actual firmware to control and update all parameters in the Filter Unit.



## 6. Filter flow diagram:



## 7. Electrical Diagram:

